

CH & TH Series



FEATURES:

- Low cost
- 7 Digit LCD display
- Battery powered Totalizing Counter or Timer
- Screw terminal adaptor
- Accepts a wide range of inputs
- Small panel foot print

DESCRIPTION:

The CH & TH Series are panel mount counters and timers that are powered by a small, lithium battery.

The CH Series of totalizing counters accepts three types of inputs. 1) Non-voltage contact closure or NPN open collector 2) PNP 6-24VDC 3) 90-240V AC/DC. The front reset button can be disabled if desired.

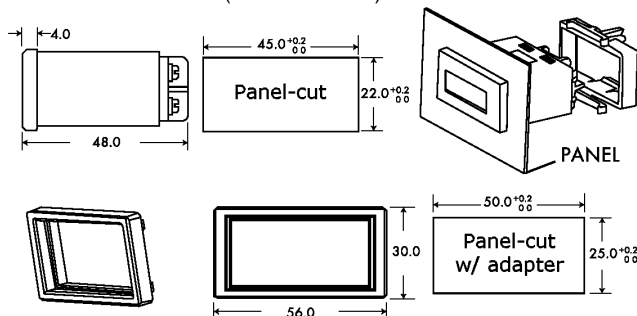
The TH Series are elapsed timers and can time in minutes or hours. They accept a Non-voltage contact closure / NPN open collector, PNP 6-24VDC or 90-240V AC/DC. a non-voltage contact closure / NPN open collector or a 90-240V AC/DC input. The unit times as long as it is receiving an input and stops when the input is stopped or removed. The front reset button can be disabled if desired.

SPECIFICATIONS:

Model	CH-7N	CH-7P	CH-7A	TH-7NM	TH-7NH	TH-7PM*	TH-7PH	TH-7AM	TH-7AH
Function	Counter (1 count per pulse)			Timer Min.	Timer Hour	Timer Min.	Timer Hour	Timer Min.	Timer Hour
Display	7 digit, LCD, 8mm (0.315") high characters Range: 9999999			7 digit, LCD, 8mm (0.315") high characters Range 999999.9					
Power Supply	Internal lithium battery								
Input	Non-voltage contact closure / NPN open collector	PNP, Hi (6-24Vdc) Low (4-0 Vdc)	Voltage, AC/DC 90-240V	Non-voltage contact closure / NPN open collector	PNP, Hi (6-24Vdc) Low (4-0 Vdc)	AC/DC 90-240V			
Input speed	10 Hz Max								
Reset	1) Non-voltage contact closure / NPN open collector 2) Front push button	1) PNP, Hi (6-24Vdc) Low (4-0 Vdc) 2) Front push button	1) Non-voltage contact closure / NPN open collector 2) Front push button	1) PNP, Hi (6-24Vdc) Low (4-0 Vdc) 2) Front push button	1) Non-voltage contact closure / NPN open collector 2) Front push button				
Housing	Plastic								
Mounting	Panel mount								
Connection	Screw terminals								
Temperature	Operating: -32 to 122°F (-0 to 50°C) Storage: -4 to 140°F (-20 to 60°C)								
Humidity	35% to 85% RH								
Approval	CE								

* Upon request

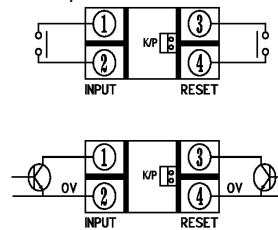
DIMENSIONS: mm (1mm = .03937")



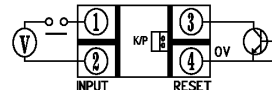
The included mounting adapter allows the counter to be fitted into existing 1" x 2" cutouts.

WIRING:

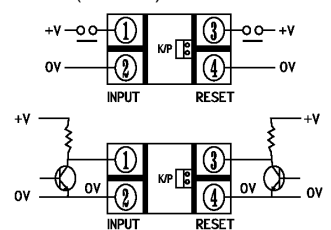
Non-voltage contact closure / NPN open collector



Input: Voltage, AC/DC 90-240V input
Reset: Non-voltage contact closure / NPN open collector



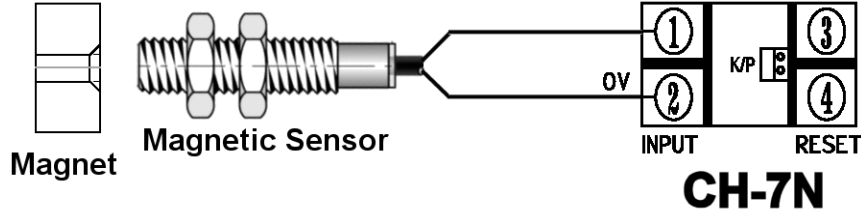
PNP, Hi (6-24Vdc) Low (4-0 Vdc)



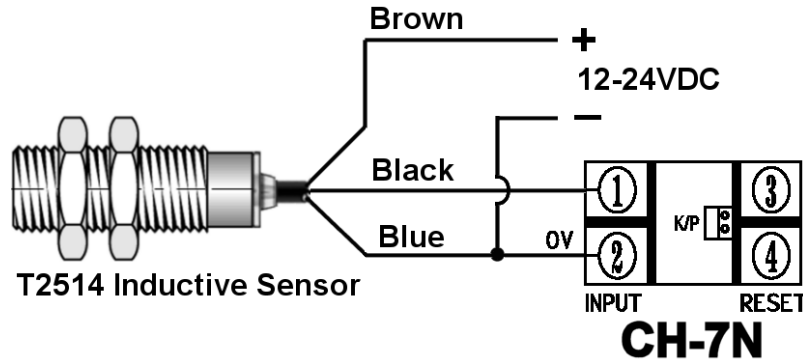
To disable the reset button, open the K/P jumper at the rear of the counter.

Sensor wiring examples for the CH series counters

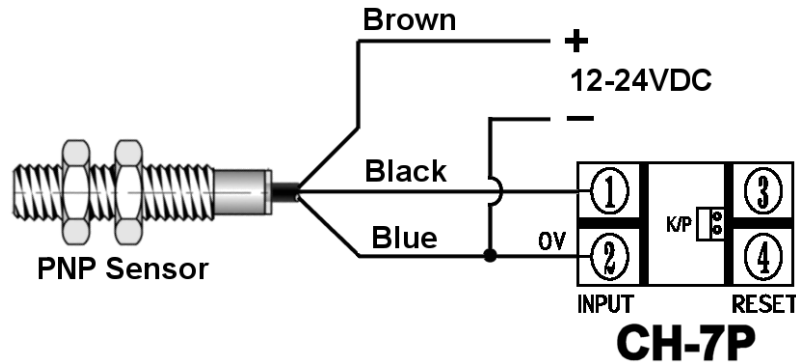
CH-7N with a magnetic sensor - no power required. Model CH-7N increments one count every time the magnet comes into the operating distance of the sensors.



CH-7N with Model T2514 Inductive Sensor. The CH-7N increments one count every time a target actuates the sensors. **Please note:** the CH-7N will only work with NPN sensors that are open collector, sensors with an internal pull-up resistor can damage the counter. If you are not sure use a PNP sensor with model CH-7P.



CH-7P with a PNP output proximity sensor. The CH-7P increments one count every time a target actuates the sensors.



Maximum count speed is 10 counts per second for both counters.