

Connectors for Proximity Sensors

Female Connector type C

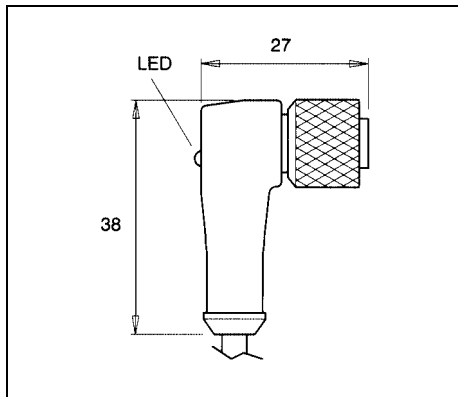


Figure 1

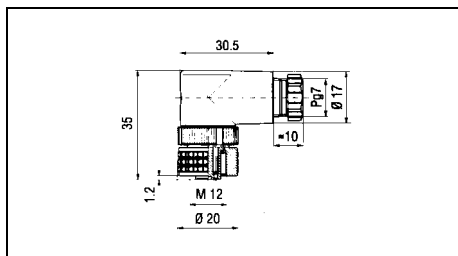


Figure 2

Female Connector Type C1

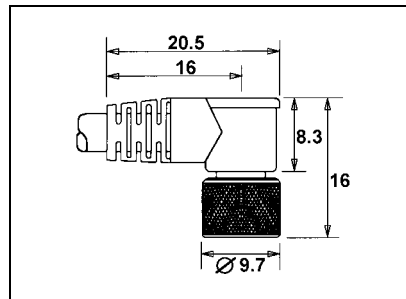


Figure 3

Female Connector type C3 (snap on)

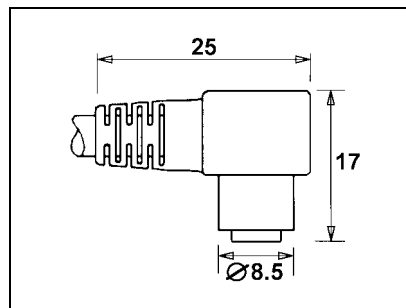


Figure 4

Female Connector type C2

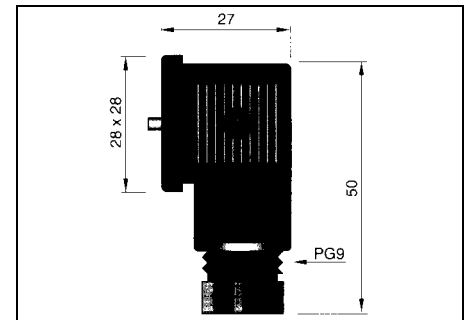
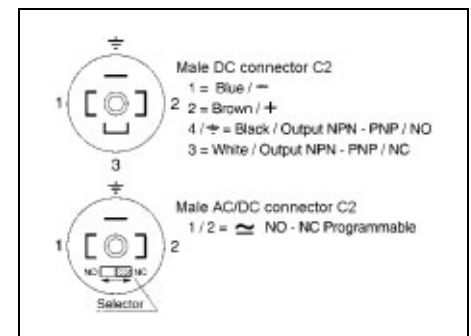
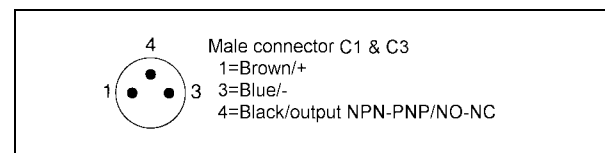
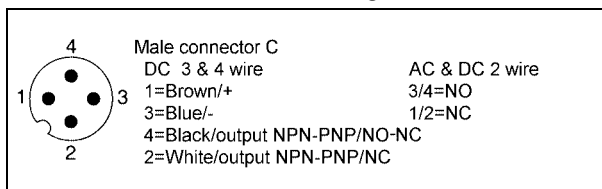


Figure 5



Sensor Wiring



ID#	Model	Type	Cable Length	LEDs / Polarity	Wires	Cable Direction	Drawing
S942	8A2M3W	C3	2 m	-	3	90 degree	Figure 4
S3480	A8A5M3W	C1	5 m	-	3	90 degree	Figure 3
S3481	A8S5M3W	C1	5 m	-	3	Straight	-
030502	12A4T	C	Terminal screws	-	4	90 degree	Figure 2
030503	12S4T	C	Terminal screws	-	4	Straight	-
S3494	A12A2M3W	C	2 m	-	3	90 degree	Figure 1
S3495	A12A5M3W	C	5 m	-	3	90 degree	Figure 1
S3496/2	A12A2M4W	C	2 m	-	4	90 degree	Figure 1
S3496	A12A5M4W	C	5 m	-	4	90 degree	Figure 1
S3490	A12A2MP2L3W	C	2 m	2 / PNP	3	90 degree	Figure 1
S3491	A12A5MP2L3W	C	5 m	2 / PNP	3	90 degree	Figure 1
S3490N	A12A2MN2L3W	C	2 m	2 / NPN	3	90 degree	Figure 1
S3491N	A12A5MN2L3W	C	5 m	2 / NPN	3	90 degree	Figure 1
S3492	A12A5MN2L4W	C	5 m	2 / NPN	4	90 degree	Figure 1
S3493	A12A5MP2L4W	C	5 m	2 / PNP	4	90 degree	Figure 1
S3499/2	A12S2M4W	C	2 m	-	4	Straight	-
S3499	A12S5M4W	C	5 m	-	4	Straight	-

Female type connector C2 (figure 5) is included with sensor and does not have to be ordered separate.

Should you have any questions about which connector is right for your application please contact an application engineer.